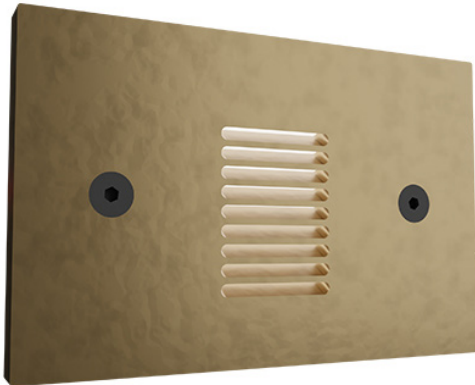


LOUVERED BRICK STAR LED (CORE DRILL)

IP65 RATED

DATE:	PROJECT:	TYPE:
-------	----------	-------

CATALOG NUMBER LOGIC:



**Requires magnetic low voltage dimmer.*

***Please see Adjust-e-Lume photometry to determine desired intensity.*

CATALOG NUMBER LOGIC

Example: B - CD- BQL - LED - e65 - A9 - BLW - D

MATERIAL

(Blank) - Aluminum B - Brass S - Stainless Steel

INSTALLATION

CD - Core Drill

SERIES

BQL - Louvered Brick Star

SOURCE

LED - with Integral Dimming Driver (25W min. load when dimmed)*

LED TYPE

e64 - 7W LED/2700K e66 - 7W LED/4000K

e65 - 7W LED/3000K e74 - 7W LED/Amber

ADJUST-E-LUME OUTPUT INTENSITY**

A9 (Standard), A8, A7, A6, A5, A4, A3, A2, A1

FINISH (See page 2 for full-color swatches)

Standard Finishes (BZP, BZW, BLP, BLW, WHP, WHW, SAP, VER)

Premium Finish (ABP, AMG, AQW, BCM, BGE, BPP, CAP, CMG, CRI, CRM, HUG, MDS, NBP, OCP, RMG, SDS, SMG, TXF, WCP, WIR)

Also available in RAL Finishes

Brass Finishes (MAC, POL, MIT)

Stainless Steel Finishes (MAC, POL)

LOUVER

D - 30° Angle, Rectangular Pattern

B-K LIGHTING

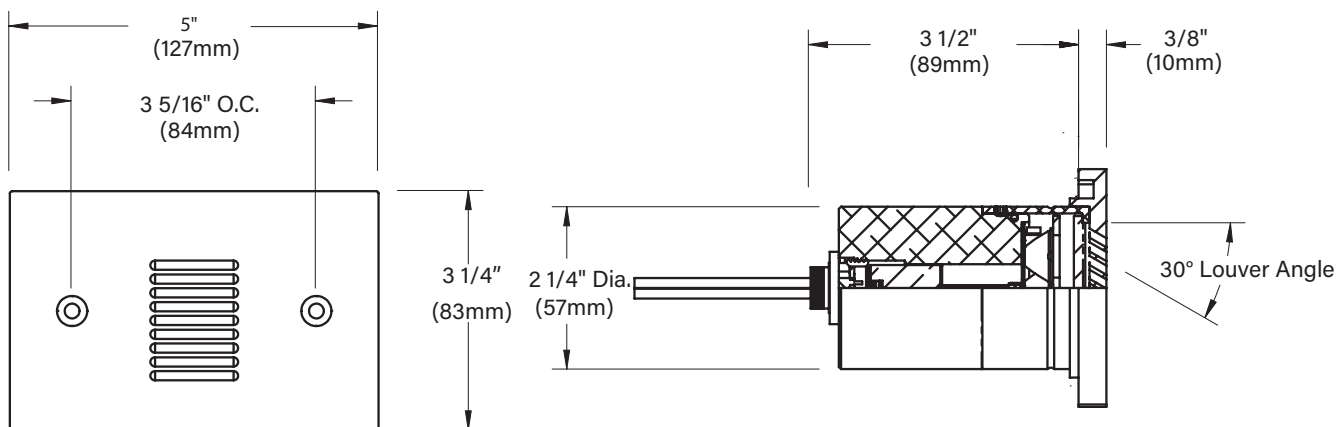
MADE IN THE USA

559.438.5800 | INFO@BKLIGHTING.COM | BKLIGHTING.COM

THIS DOCUMENT CONTAINS PROPRIETARY INFORMATION OF B-K LIGHTING, INC. AND ITS RECEIPT OR POSSESSION DOES NOT CONVEY ANY RIGHTS TO REPRODUCE, DISCLOSE ITS CONTENTS, OR TO MANUFACTURE, USE OR SELL ANYTHING IT MAY DESCRIBE. REPRODUCTION, DISCLOSURE OR USE WITHOUT SPECIFIC WRITTEN AUTHORIZATION OF B-K LIGHTING, INC. IS STRICTLY FORBIDDEN.

04/06/2020 SKU-593
SUB001023

DATE: _____ PROJECT: _____ TYPE: _____



STANDARD FINISHES



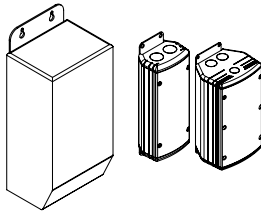
Click [Here](#) to view larger, full-color swatches of all available finishes on our website.

PREMIUM FINISHES



DATE:	PROJECT:	TYPE:
-------	----------	-------

ACCESSORIES (Configure separately)



TR Series

UPMRM

SPECIFICATIONS

ELECTRICAL	WATTAGE	7W LED
	ADJUST-E-LUME	Integral electronics allows dynamic lumen response at the individual fixture. Indexed (100% to 25% nom.) lumen output. Maintains output at desired level or may be changed as conditions require. Specify factory preset output intensity.
	WIRING	Teflon® coated, 18AWG, 600V, 250° C rated and certified to UL 1659 standard. Anti-Siphon Valve (ASV™) prevents “wicking” through conductor insulation.
	REMOTE TRANSFORMER	For use with 12VAC remote transformer or magnetic transformers only. B-K Lighting cannot guarantee performance with third party manufacturers’ transformers.
PHYSICAL	MATERIALS	Furnished in copper-free aluminum (6061-T6), brass (360) or stainless steel (304).
	CORE DRILL	Allows for mounting into existing structures that will not easily accept a standard box. 2-1/2” dia. hole required for slip fit.
	BODY	Unibody design is fully machined from solid billet and provides enclosed, water-proof wireway and integral heat sink for maximum component life. High temperature, silicone ‘O’ Ring provides water-tight seal. Provided with hardcoat (Type III) black anodize finish for maximum corrosion resistance. Weather-tight cable connector with 5’0,” 18Ga, 2 wire low voltage cable.
	FACEPLATE	Fully machined from solid billet. Countersunk holes provide for flush hardware mounting (by others).
	LOUVERS & CUTOFF	Louver pattern is machined into faceplate to prevent direct view to the source at nadir. 30° optical cutoff for mounting heights well below typical visual glare angles.
	LENS	Shock-resistant, tempered glass lens is factory adhered to faceplate and provides hermetically sealed optical compartment.
	LED	Integrated solid state system and modular design with electrical quick disconnects is scalable for field upgrade and maintenance. High power, forward throw source complies with ANSI C78.377 binning requirements and exceeds ENERGY STAR® lumen maintenance requirements. LM-80 certified components. Integral, constant current driver. 12VAC/VDC input. 50/60Hz. Proprietary input control scheme achieves power factor correction and eliminates inrush current. Output, overvoltage, open-circuit, and short circuit protected. Inrush current limited to <1A (non-dimming). Conforms to Safety Std. C22.2 No. 250.13-12.
	DIMMING	Line voltage dimmable via magnetic low voltage dimmer with dedicated neutral conductor. For purposes of dimming: Remote magnetic transformer with LED loads should be loaded to 25% of the transformer VA (watts) rated value.
	OPTICS	Rectilinear design provides wide lateral distribution and long forward throw.
	HARDWARE	Tamper-resistant, stainless steel fixture hardware. Mounting hardware by others.
FINISH	StarGuard, our 15-stage chromate-free process cleans and conversion coats aluminum components prior to application of Class ‘A’ TGIC polyester powder coating and is RoHS compliant. Powder coat or metal finish options available for brass material and metal finish option only for stainless steel material.	
WARRANTY CERTIFICATION & LISTING	WARRANTY	5-year limited warranty.
	CERTIFICATION & LISTING	ITL tested to IESNA LM-79. UL Listed. Certified to CAN/CSA/ANSI Standards. RoHS compliant. Suitable for indoor or outdoor use, in wet locations, and for installation in combustible materials (Type Non-IC) and within 4’ of the ground. IP65 Rated. Made in the USA with sustainable processes.



LAMP & DRIVER DATA (e64, e65, e66, e74)

DATE: _____ PROJECT: _____ TYPE: _____

DRIVER DATA	Input Volts	InRush Current	Operating	Dimmable	Operation Ambient Temperature
	12VAC/DC 50/60Hz	<250mA (non-dimmed)	700mA	Magnetic Low Voltage Dimmer	-10°F-130°F (-12°C-54°C)

LM79 DATA				L70 DATA	OPTICAL DATA	
BK No.	CCT (Typ.)	CRI (Typ.)	Input Watts (Typ.)	Minimum Rated Life (hrs.) 70% of initial lumens (L ₇₀)	Louver Angle	Delivered Lumens
e64	2700K	80	7	50,000	30°	43
e65	3000K	80	7	50,000	30°	50
e66	4000K	80	7	50,000	30°	56
e74	Amber (590nm)	~	7	50,000	~	~

B-K LIGHTING

MADE IN THE USA

559.438.5800 | INFO@BKLIGHTING.COM | BKLIGHTING.COM

THIS DOCUMENT CONTAINS PROPRIETARY INFORMATION OF B-K LIGHTING, INC. AND ITS RECEIPT OR POSSESSION DOES NOT CONVEY ANY RIGHTS TO REPRODUCE, DISCLOSE ITS CONTENTS, OR TO MANUFACTURE, USE OR SELL ANYTHING IT MAY DESCRIBE. REPRODUCTION, DISCLOSURE OR USE WITHOUT SPECIFIC WRITTEN AUTHORIZATION OF B-K LIGHTING, INC. IS STRICTLY FORBIDDEN.

DATE:	PROJECT:	TYPE:
-------	----------	-------

CATALOG NUMBER LOGIC:



**Designed for use with LED transformer*

***The 360SL cost is already included in the price of UPM, UPM dual, and Power Canopy.*

CATALOG NUMBER LOGIC

Example: B - MM - LED - e70 - SP - BLP - 12 - 11 - C - 360SL

MATERIAL

(Blank) - Aluminum B - Brass S - Stainless Steel

SERIES

MM - Mini-Micro

SOURCE

LED - with Non-Dimming Integral Driver*

LED TYPE

e70 - 3W LED/2700K	e72 - 3W LED/4000k
e71 - 3W LED/3000K	e73 - 3W LED/Amber

OPTICS

NSP - Narrow Spot (17°)	MFL - Medium Flood (28°)
SP - Spot (21°)	ASY - Asymmetrical (17x31°)

FINISH (See page 2 for full-color swatches)

Standard Finishes (BZP, BZW, BLP, BLW, WHP, WHW, SAP, VER)

Premium Finish (ABP, AMG, AQW, BCM, BGE, BPP, CAP, CMG, CRI, CRM, HUG, MDS, NBP, OCP, RMG, SDS, SMG, TXF, WCP, WIR)

Also available in RAL Finishes

Brass Finishes (MAC, POL, MIT)

Stainless Steel Finishes (MAC, POL)

LENS TYPE

12 - Soft Focus 13 - Rectilinear

SHIELDING

11 - Honeycomb Baffle

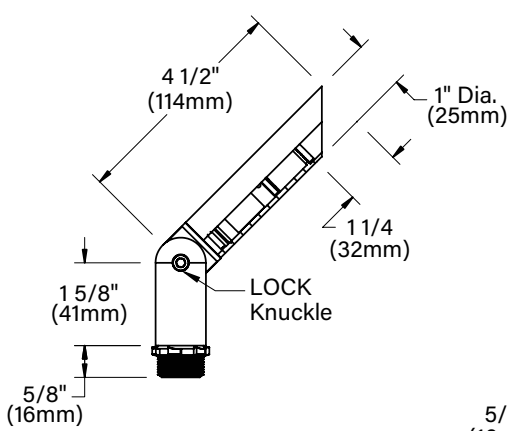
CAP STYLE

A - 45°
 B - 90°
 C - Flush
 D - 45° Less Weephole (Interior use only)
 E - 90° Less Weephole (Interior use only)

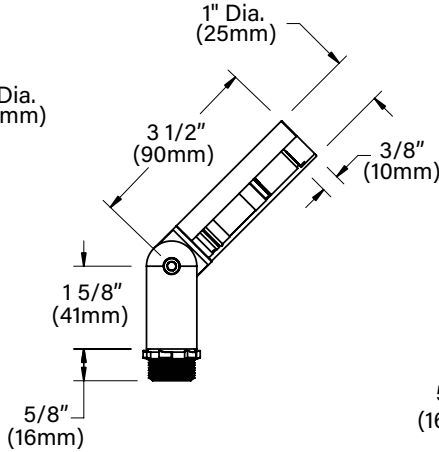
OPTIONS

360SL - Rotational Knuckle Mounting System**

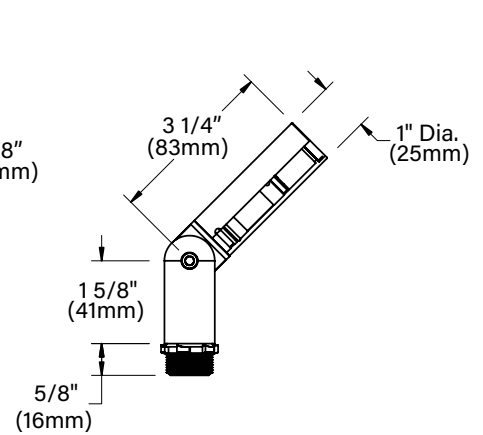
DATE: _____ PROJECT: _____ TYPE: _____



"A/D" CAP



"B/E" CAP



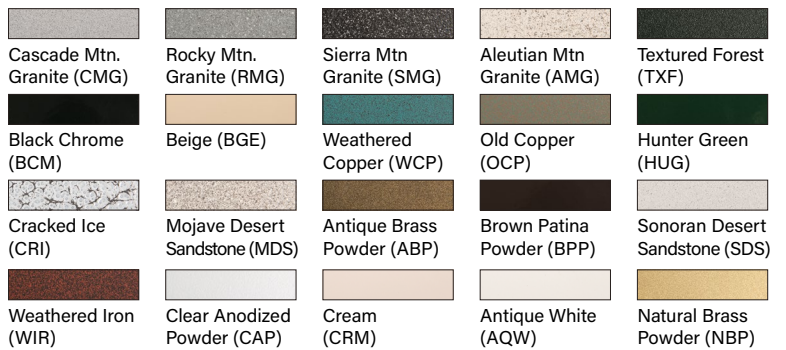
"C" CAP

STANDARD FINISHES



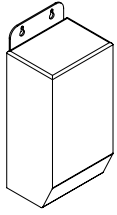
[Click Here](#) to view larger, full-color swatches of all available finishes on our website.

PREMIUM FINISHES

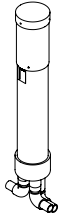


DATE: _____ PROJECT: _____ TYPE: _____

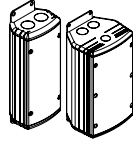
ACCESSORIES (Configure separately)



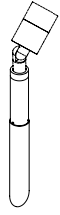
TR Series



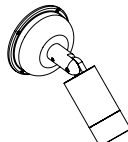
Power Pipe



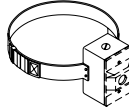
UPMRM



Power Pipe



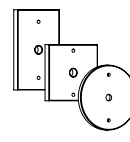
Power Canopy



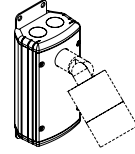
Tree Strap



Stems



Canopies



UPM

SPECIFICATIONS

ELECTRICAL	<p>WATTAGE</p> <p>WIRING</p> <p>REMOTE TRANSFORMER</p>	<p>3W LED</p> <p>XLPE, 18GA,150C,600V, rated and certified to UL3321.</p> <p>For use with 12VAC remote transformer or magnetic transformers only. B-K Lighting cannot guarantee performance with third party manufacturers' transformers.</p>
PHYSICAL	<p>MATERIALS</p> <p>BODY</p> <p>KNUCKLE</p> <p>CAP</p> <p>LENS</p> <p>LED</p> <p>OPTICS</p> <p>HARDWARE</p> <p>FINISH</p> <p>WARRANTY</p> <p>CERTIFICATION & LISTING</p>	<p>Furnished in copper-free aluminum (6061-T6), brass (360) or stainless steel (304).</p> <p>Unibody design with enclosed, water-proof wireway and integral heat sink is fully machined from solid billet.</p> <p>LOCK Knuckle is integral to the body and features an interior taper machined from solid billet and a second, reverse angle taper allowing full 180° vertical adjustment without the use of aim-limiting serrated teeth. High temperature, silicone 'O' Ring provides water-tight seal and compressive resistance to maintain fixture position. Design withstands 73 lbs. static load prior to movement for optical alignment with a 1/2" pipe thread for mounting. Optional 360SL provides biaxial source control with 360° horizontal rotation in addition to vertical adjustment.</p> <p>Fully machined and accommodates one (1) lens or louver media.</p> <p>Shock-resistant, tempered glass lens is factory adhered to fixture cap and provides hermetically sealed optical compartment.</p> <p>Integrated solid state system and modular design with electrical disconnects allow for easy field upgrade and maintenance. High power, forward throw source complies with ANSI C78.377 binning requirements and exceeds ENERGY STAR® lumen maintenance requirements. LM-80 certified components. Integral, constant current driver. 12VAC/VDC input. 50/60Hz. Proprietary input control scheme achieves power factor correction and eliminates inrush current (limited to <250mA non-dimming). Output, overvoltage, open-circuit, and short circuit protected. Conforms to Safety Std. C22.2 No. 250.13-12.</p> <p>Interchangeable OPTIKIT modules permit optical field changes. Color-code: Narrow Spot (NSP) = red; Spot (SP) = green; Medium Flood (MFL) = yellow; Wide Flood (WFL) = blue.</p> <p>Tamper-resistant, stainless steel hardware. LOCK aiming screw is black oxide treated for additional corrosion resistance.</p> <p>StarGuard, our 15-stage chromate-free process cleans and conversion coats aluminum components prior to application of Class 'A' TGIC polyester powder coating and is RoHS compliant. Powder coat or metal finish options available for brass material and metal finish option only for stainless steel material.</p> <p>5-year limited warranty.</p> <p>ITL tested to IESNA LM-79. UL Listed. Certified to CAN/CSA/ANSI Standards. RoHS compliant. Suitable for indoor or outdoor use, in wet locations, and for installation within 4' of the ground. IP66 Rated. Made in the USA with sustainable processes.</p>



LAMP & DRIVER DATA (e70, e71, e72, e73)

DATE:

PROJECT:

TYPE:

DRIVER DATA	Input Volts	InRush Current	Operating Current	Operation Ambient Temperature
	12VAC/DC 50/60Hz	<250mA (non-dimmed)	500mA	-22°F-194°F (-30°C - 90°C)

LM79 DATA

L70 DATA

OPTICAL DATA

BK No.	CCT (Typ.)	CRI (Typ.)	Input Watts (Typ.)	Minimum Rated Life (hrs.) 70% of initial lumens (L ₇₀)	Angle	CBCP	Delivered Lumens
e70	2700K	80	3	50,000	17°	1347	167
	2700K	80	3	50,000	21°	664	139
	2700K	80	3	50,000	28°	524	149
	2700K	~	3	50,000	17°x31°	613	151
e71	3000K	80	3	50,000	17°	1411	175
	3000K	80	3	50,000	21°	695	146
	3000K	80	3	50,000	28°	548	156
	3000K	~	3	50,000	17°x31°	642	158
e72	4000K	80	3	50,000	17°	1585	197
	4000K	80	3	50,000	21°	781	164
	4000K	80	3	50,000	28°	616	175
	4000K	~	3	50,000	17°x31°	721	178
e73	Amber (590nm)	~	3	50,000	~	~	~

OPTICS

Optic	Angle
NSP - Narrow Spot	17°
SP - Spot	21°
MFL - Medium Flood	28°
ASY - Asymmetrical	17°x31°

B-K LIGHTING

MADE IN THE USA

559.438.5800 | INFO@BKLIGHTING.COM | BKLIGHTING.COM

THIS DOCUMENT CONTAINS PROPRIETARY INFORMATION OF B-K LIGHTING, INC. AND ITS RECEIPT OR POSSESSION DOES NOT CONVEY ANY RIGHTS TO REPRODUCE, DISCLOSE ITS CONTENTS, OR TO MANUFACTURE, USE OR SELL ANYTHING IT MAY DESCRIBE. REPRODUCTION, DISCLOSURE OR USE WITHOUT SPECIFIC WRITTEN AUTHORIZATION OF B-K LIGHTING, INC. IS STRICTLY FORBIDDEN.

InvisiLED® Pro

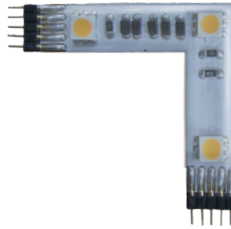
24V LED Tape Light

WAC LIGHTING

Responsible Lighting®



Tape Section



3 LED "L" Connector

Fixture Type:

Catalog Number:

Project:

Location:

PRODUCT DESCRIPTION

Professional grade white tape light that delivers optimal color consistency and brightness. An ideal system for task or accent lighting applications.

FEATURES

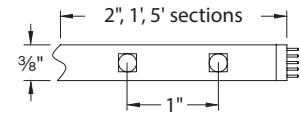
- Can be field cut, male to male adapter required to re-use female side
- Ultra thin profile at 3/8"
- Diodes spaced evenly at 1" on center
- Minimum run length of 1'
- May be field cut every 2" at the end of a run
- Three mounting methods provided for different surfaces
- Specially rated for installation in the storage area of a clothes closet
- 50,000 hour rated life
- 5 year WAC Lighting product warranty

SPECIFICATIONS

- Construction:** Flexible, silicone cased tape light, Peel and stick 3M construction adhesive, Indicating marks on back for field cutting
- Power Supply:** Remote and plug-in electronic Class 2 transformers, 120VAC/120-277VAC, 50/60Hz input, 24V 60W and 96W output
- Light Source:** 12 LEDs per foot, Runs on 24V at 3W per foot,
- Dimming:** May be dimmed with electronic low voltage 0-10V (ELV) dimmer
- Operating Temp:** -4°F – 122°F (-20°C – 50°C), relative humidity 95%
- Standards:** UL & cUL Listed for Damp Locations.

ORDER NUMBER – TAPE SECTION

Model	Watts/ft	Color Temp	CRI	Lumens/ft	Length	Qty	Tape Color
LED-T24	3	W 2700K	85	200	2IN 2 inches	1	WT White
		P 3000K	85	200	2IN-10 2 inches	10	
		35 3500K	85	207	1 1 foot	1	
		1-40 1 foot	40				
		5 5 feet	1				

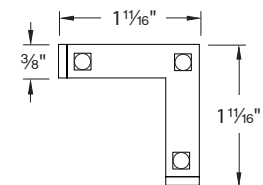


LED-T24 - WT

Example: LED-T24P-2IN-10-WT

ORDER NUMBER – 3 LED "L" CONNECTOR




Model	Watts	Color Temp	CRI	Lumens	Tape Color
LED-T24	1.2	W 2700K	85	50	3L-WT White
		P 3000K	85	50	
		35 3500K	85	52	
		C 4500K	85	54	



LED-T24 - 3L-WT

Example: LED-T24C-3L-WT

Class 2 Power Supply (Required)

Type	Model	Input	Output	Max Run	Dim
Remote	 EN-2460-RB2-T	120VAC	24VAC / 60W	20 feet	ELV
		120VAC	24VAC / 96W	33 feet	ELV
Plug-in	 EN-2460-P-AR-T	120VAC	24VAC / 60W	20 feet	ELV
		120VAC	24VAC / 96W	33 feet	ELV
Remote 277V	 EN-24100-277-RB2-T	120-277VAC	24VDC / 96W	33 feet	0-10V

wacighting.com
Phone (800) 526.2588
Fax (800) 526.2585

Headquarters/Eastern Distribution Center
44 Harbor Park Drive
Port Washington, NY 11050

Central Distribution Center
1600 Distribution Ct
Lithia Springs, GA 30122

Western Distribution Center
1750 Archibald Avenue
Ontario, CA 91760